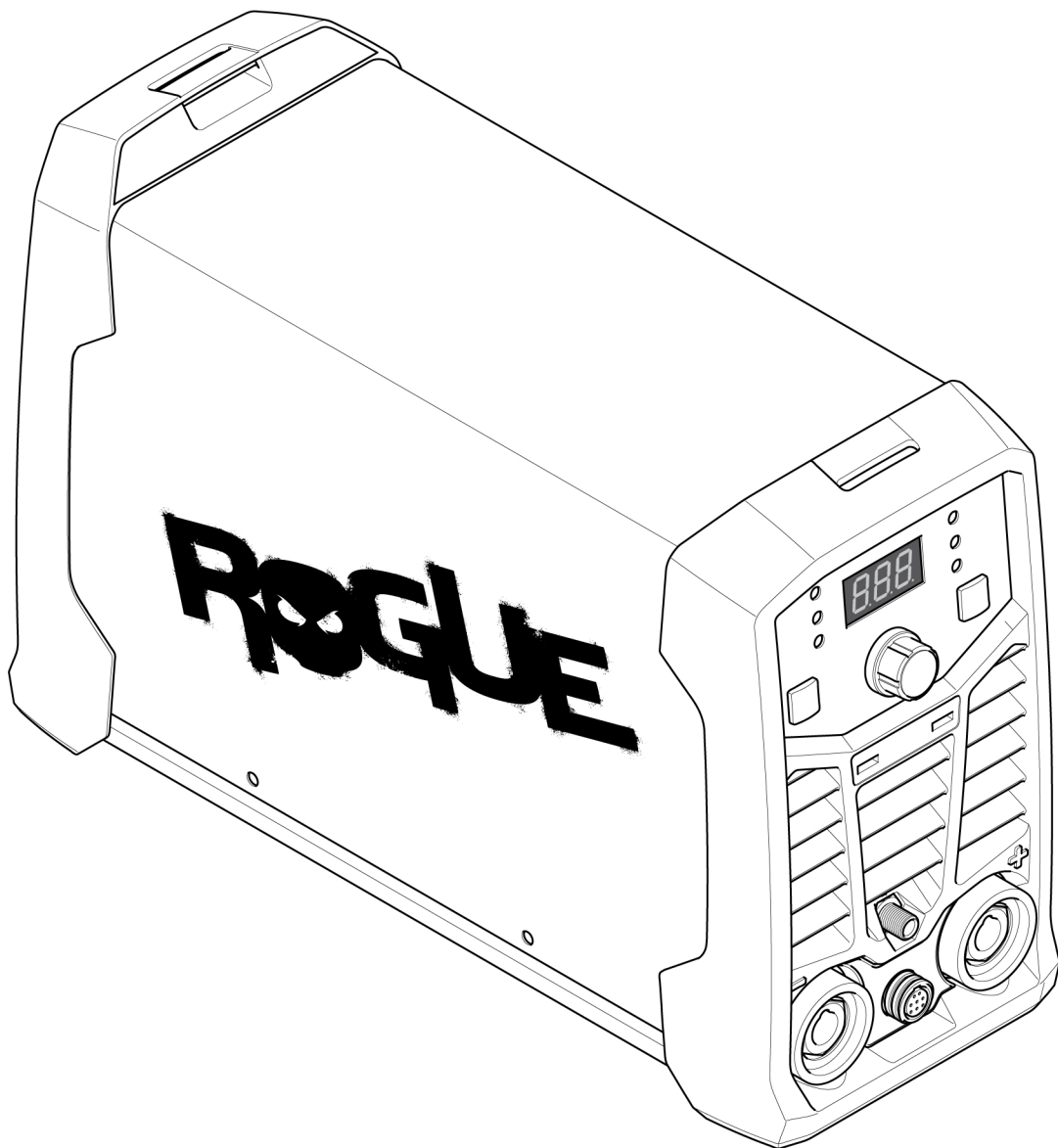


ET 200iP PRO



Spare parts list

Ordering no.	Product	Notes	Serial no.
0700 500 073	Rogue ET 200iP PRO	North America, CSA	HA027-xxxx-xxxx
0700 500 096	Rogue ET 200iP PRO	Mexico	HA027-xxxx-xxxx

Spare parts may be ordered through your nearest ESAB dealer, see esab.com. When ordering, please state product type, serial number, denominations and ordering numbers according to the spare parts list. This facilitates dispatch and ensures correct delivery.

Maintenance and repair work should be performed by an experienced person, and electrical work only by a trained electrician. Use only recommended spare parts.

1 SPARE PARTS 4

1 SPARE PARTS

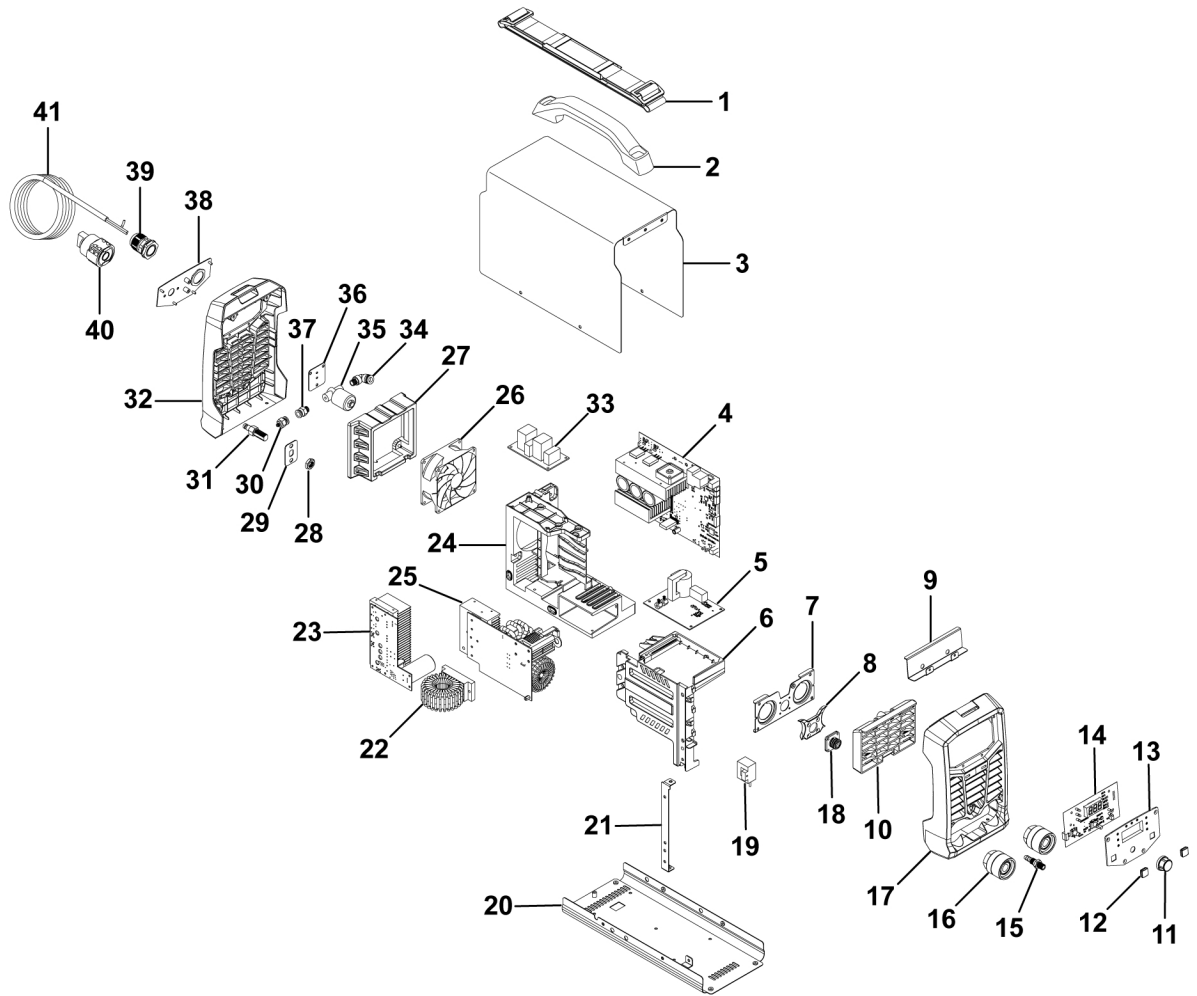
Item	Qty	Ordering no.	Denomination	Model and region	Notes
1	1	0464 670 003	Belt		
2	1	0464 670 007	Handle		
3	1	0464 676 007	Case		
4	1	0464 676 017	IGBT inverter board and main PCB		
5	1		High frequency board		Included in item 102
6	1		Arcing plate holder		Included in item 102
7	1	0464 670 010	Output retaining plate		
8	1		Sleeve socket plate with sticker		Included in item 104
9	1		Front shield plate		Included in item 101
10	1	0464 670 011	Louver		
11	1		Potentiometer knob		Included in item 101
12	2		Key rubber sleeve		Included in item 101
13	1		Front mounting plate with labels		Included in item 101
14	1		Digital display board		Included in item 101
15	1	0464 671 006	Argon gas connection		
16	2	0464 671 004	Quick connector		
17	1	0464 674 004	Front plastic panel		
18	1		Sleeve socket 8 pole with harness		Included in item 104
19	1	0464 670 006	Hall sensor with harness		
20	1	0464 676 010	Base plate	ET 200iP PRO NOAM	
		0464 676 008		ET 200iP PRO Mexico	
21	1	0464 674 017	Grounding strip		
22	1	0464 674 008	PFC electrical inductance		
23	1	0464 673 004	PFC board		
24	1	0464 670 008	Movement bracket		
25	1		Rectifier plate		Included in item 102
26	1	0464 674 003	Fan		
27	1	0464 670 012	Air flow deflector		
28	1	0464 676 024	Locking nut		
29	1	0464 676 025	Holding plate for fast connector		

1 SPARE PARTS

Item	Qty	Ordering no.	Denomination	Model and region	Notes
30	1	0464 676 026	Gas connector		
31	1	0464 676 016	Gas connector		
32	1		Plastic back plate assembly		Included in item 103
33	1	0464 673 001	EMC filter board		
34	1	0464 676 031	Gas connector		
35	1	0464 674 018	Gas solenoid and harness		
36	1	0464 676 028	Gas valve holding plate		
37	1	0464 676 027	Gas connector		
38	1		Fixed plate on back panel		Included in item 103
39	1	0464 674 002	Cable Gland		
40	1	0464 674 013	Mains switch 0-1		
41	1	0464 674 012	Mains cable		

Spare part kits

Item	Ordering no.	Denomination	Notes
101	0464 676 881	Digital display board set	Includes item 9, 11, 12, 13, 14, plastic supporter, front control panel label, screw assembly set M3×8 and M3×14
102	0464 671 886	Rectifier board kit	Includes item 5, 6, 25, earth flat cable, screw assembly set M4×20, M4×12 and M4×8
103	0464 672 882	Back plastic panel	Includes item 32, 38, hexagon nut and sticker
104	0464 663 127	Sleeve socket 8 pin with harness set	Includes item 8, 18, screw M3×12, hexagon nut M3 and sticker





A WORLD OF PRODUCTS AND SOLUTIONS.



For contact information visit <http://esab.com>

ESAB AB, Lindholmsallén 9, Box 8004, 402 77 Gothenburg, Sweden, Phone +46 (0) 31 50 90 00

manuals.esab.com

